



SHERWOOD INDUSTRIES IS AN ENVIRONMENTALLY RESPONSIBLE COMPANY
THIS MANUAL IS PRINTED ON RECYCLED PAPER

ENVIRO GAS



8 2 8

By SHERWOOD INDUSTRIES LTD.

B Vent OWNERS MANUAL

Installation And Operating Instructions For Models:

828 BV. FS. (Freestanding)

828 BV. INS. (Insert)



WHAT TO DO IF YOU SMELL GAS

- Open windows/Extinguish any open flame
- Do not try to light any appliance.
- Do not touch any electrical switch; do not use any phone in your building.
- Immediately call your gas supplier from a neighbor's phone. Follow the gas supplier's instructions.
- If you cannot reach your gas supplier, call the fire department.

WARNING

If the information in this manual is not followed exactly, a fire or explosion may result causing property damage, personal injury or loss of life. Installation and service must be performed by a qualified installer, service agency or the gas supplier.

FOR YOUR SAFETY

Do not store or use gasoline or other Flammable vapors and liquids in the vicinity of this or any other appliance.

PLEASE KEEP THESE INSTRUCTIONS FOR FUTURE REFERENCE.

SAFETY PRECAUTIONS

FOR SAFE INSTALLATION AND OPERATION OF YOUR "ENVIROGAS" ROOM HEATER, PLEASE, CAREFULLY READ THE FOLLOWING INFORMATION:

- All "ENVIROGAS" gas-fired appliances must be installed in accordance with these instructions. Carefully read all the instructions in this manual first. Consult the building authority having jurisdiction to determine the need for a permit prior to commencing the installation.
- **NOTE** Failure to follow these instructions could cause a malfunction of the fireplace that could result in death, serious bodily injury, and/or property damage.
- Failure to follow these instructions may also void your fire insurance and/or warranty.

GENERAL

- Installation and repair should be done by a qualified service person. The appliance should be inspected before use and at least annually by a qualified service person. More frequent cleaning may be required due to excessive lint from carpeting, bedding material, etc. It is imperative that control compartments, burners and circulating air passageways of the appliance be kept clean.
- Due to high temperatures the appliance should be located out of high traffic areas and away from furniture and draperies. Children and adults should be alerted to hazards of high surface temperatures and should stay away to avoid burns or clothing ignition.
- Young children should be carefully supervised when they are in the same room as the appliance.
- Clothing or other flammable material should not be placed on or near the appliance.

FOR YOUR SAFETY

- A qualified installer, service agency or the gas supplier must perform installation and service.
- This installation must conform with local codes or, in the absence of local codes with the current

CAN/CGA -B149 installation code in Canada or the National Fuel Gas Code ANSI Z223.1.2 in the USA.

- To prevent injury, do not allow anyone who is unfamiliar with the operation to use the stove.
- Always keep the area around these appliances clear of combustible material, gasoline or other flammable vapors and liquids.
- These appliances should not be used as a drying rack for clothing or for hanging Christmas stockings or decorations.
- Due to the paint curing on the stove a faint odor and slight smoking will likely be noticed when the stove is first used. Open a window until the slight smoking stops. Always connect this gas stove to a chimney and vent to the outside of the building envelope. Never vent to another room or inside a building. Make sure you use the vent pipe that is specified. Make sure that the vent is properly sized and is of adequate height to provide the proper draft. Inspect the venting system annually for blockage and any signs of deterioration.
- **Do not operate with cracked or broken glass. Under no circumstances should this appliance be modified. Parts that have to be removed for servicing must be replaced prior to operating this appliance. Only parts supplied by ENVIROGAS should be used in this appliance and replacements should only be performed by a licensed or qualified service person.**
- Never use solid fuels such as wood, paper, cardboard, coal, or any other flammable liquids etc., in this appliance.
- Do not use this heater if any part has been under water. Immediately call a qualified service technician to inspect the heater and to replace any part of the control system and any gas control which has been under water.
- Do not abuse glass by striking or slamming door shut

FOR INSTALLATIONS ABOVE 2000 FEET

- In Canada, these appliances are certified for altitudes of 0-2,000 feet and must be derated by 10% for installation at elevations between 2,000 and 4,500 feet.
- In the USA, these appliance are certified for elevations up to 2,000 feet. For elevations above 2,000 feet, input should be reduced 4% for each 1,000 feet above sea level.

The efficiency rating of this appliance is a product thermal efficiency rating determined under continuous operating conditions and was determined independently of any installed system.

3. DIMENSIONS AND CLEARANCES TO COMBUSTIBLES

FIREPLACE INSERT CLEARANCES TO COMBUSTIBLES:

- A. Mantle pillar to stove 10" / 25 cm
 B. Stove top to 8" wide mantle 12" / 31 cm

Stove must sit on a non-combustible surface, the width and depth of the insert

Maintain sufficient clearances for operation, service and maintenance

OTHER DIMENSIONS

- A. Depth of unit into fireplace 11 1/4" / 28.5 cm
 B. Depth of unit out of fireplace 8 3/4" / 22.2 cm
 C. Minimum firebox size W 26" x H 20" x D 20"
 (W 66 x H 50 x D 50 cm)

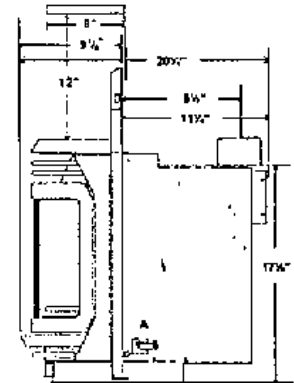
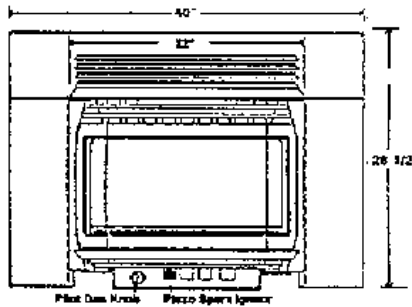


Figure 1

FREESTANDING CLEARANCES TO COMBUSTIBLES:

- A. Side wall to stove 10"
 B. Rear wall to stove 4"
 C. Combustible to stove Top 22"
 D. Floor to stove 0"
 E. Corner clearance 2"
 F. Alcove depth 48"

Maintain sufficient clearances for service and maintenance

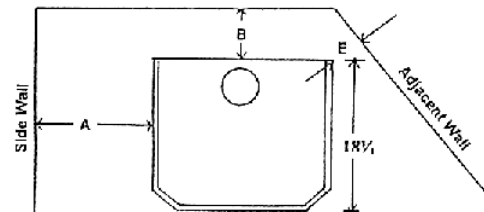
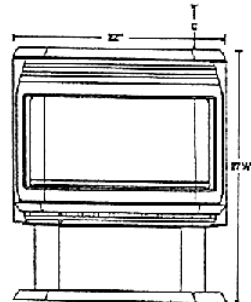
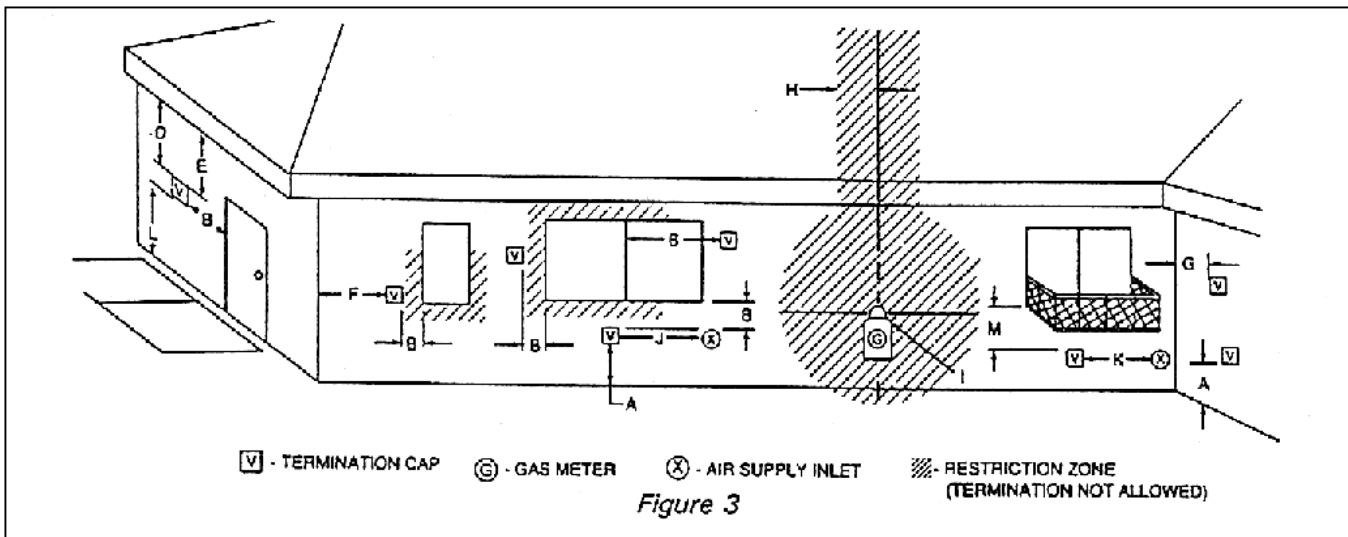


Figure 2

4. DECIDING WHERE TO LOCATE YOUR FREESTANDING STOVE

1. The stove should be located out of traffic and away from furniture and draperies.
2. This stove should have sufficient access for its safe operation and maintenance.
3. Locate a position where the flue system of the stove can be properly installed without damaging the integrity of the building. e.g. cutting wall or ceiling joists.
4. The stove can be installed on any wooden or non-combustible flat surface extending the full width and depth of the appliance.
5. Check stove and flue system clearance requirements.
6. Locate the stove where it can be accessed by a gas supply line.
7. Locate the stove in a large and open room that is centrally located in the house. This will optimize heat circulation and comfort.
8. If the stove is equipped with an optional convection fan, ensure that an electrical outlet is within 6ft. (1.8m) of the stove.
9. These stoves can be installed in bedrooms.
10. The flow of combustion and ventilation air must not be obstructed.

PRIMARY INSTALLATION



A = Clearance above grade, verandah, porch, deck, or [balcony (*12 inches (30cm) minimum)]

B = Clearance to window or door that may be opened [*12 inches (30cm) minimum]

C = Clearance to permanently closed window [minimum 12 inches (30cm) recommended to prevent condensation on window]

D = Vertical clearance to ventilated soffit located above the terminal within a horizontal distance of 2 feet (60cm) from the center-line of the terminal [24 inches (60cm) minimum]

E = Clearance to unventilated soffit [18 inches (45cm) minimum]

F = Clearance to outside corner [12 inches minimum]

G = Clearance to inside corner [12 inches minimum]

*** A vent shall not terminate directly above a side-walk or paved driveway which is located between two single family dwellings and serves both dwelling

** Only permitted if verandah, Porch, deck, or balcony, is fully open on a minimum of 2 sides beneath the floor

H = *Not to be installed above a meter/regulator assembly within 3 feet (90cm) horizontally from the center-line of the regulator

I = Clearance to service regulator vent outlet [*6 feet (1.8m) minimum]

J = Clearance to non-mechanical air supply inlet to building or the combustion air inlet to any other appliance [12 inches (30cm) minimum]

K = Clearance to a mechanical air supply inlet [*6 feet (1.8m) minimum]

L = *** Clearance above paved side-walk or paved driveway located on public property [*7 feet (2.1m) minimum]

M = Clearance under verandah, porch, deck, or balcony [*24 inches (60cm) minimum **]

5. ASSEMBLY AND INSTALLATION INSTRUCTIONS

PREPARATION FOR INSTALLATION

- Remove the packaging from the appliance, pedestal or surround panels, check to make sure there is no damage. Carefully check the glass door. **Do not use the unit if it is damaged.** In the event damage is found please report it to both the courier and your dealer as soon as possible.

ASSEMBLING AND INSTALLING YOUR ENVIROGAS 828 FIREPLACE INSERT

1. Carefully clean the fireplace and flue before installing the stove. Failure to do so may result in fumes or dirt being blown into the room and may cause a fire leading to death or serious injury.

2. Remove the two wood screws that attach the stove to its pallet. These are located through the square openings immediately behind the surround panel mounting bracket on each side of the unit. (#2 Robertson screwdriver) (See A in Figure 1)

3. Open hinged side flap, open door, remove log and ember set and all wrapping material from the stove . Remove wrapping material from log and embers and check for any damage. If damage is observed do not use unit and contact your local dealer.

4. Remove the vent collar plate from the top of the stove by unscrewing the T20 Torx screw, located on the center top of the stove and slide backwards. (SEE FIGURE 4) Properly secure the vent collar plate to the approved flexible pipe liner previously installed in the chimney. Be careful not to over stretch the liner.

5. Place the unit part way into the fireplace. Connect the fireplace insert's flexible gas line to the household gas supply using locally approved methods.

6. For units with optional fan place the electric cable so it can be connected to the power supply.

7. Push the unit into its final position in the fireplace insuring that it is stable and level.

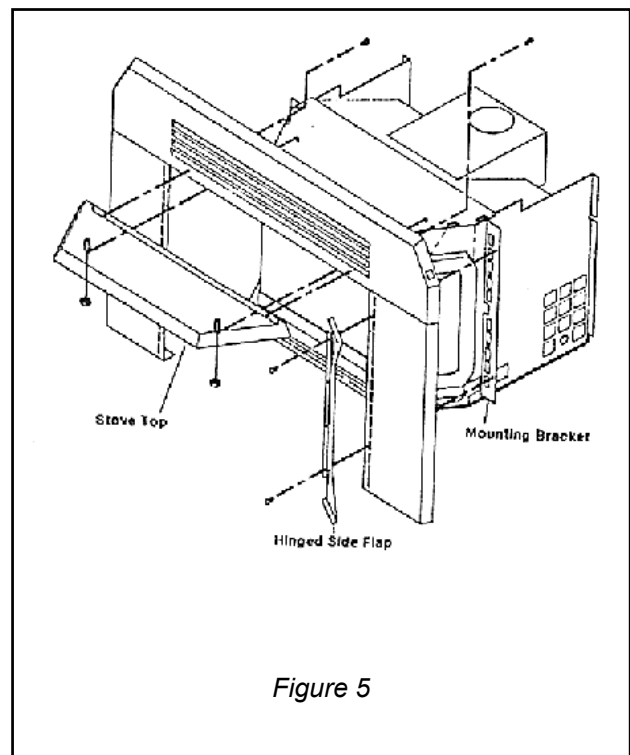
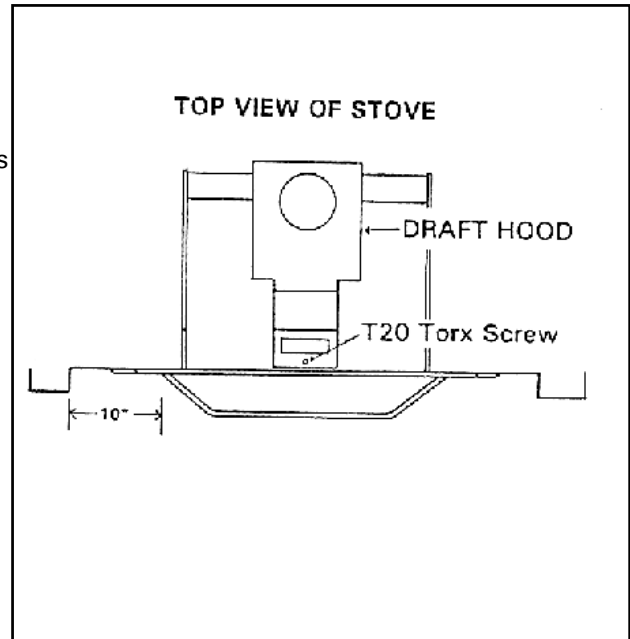
8. Reinstall the vent collar plate to the stove by sliding it along the draft hood and secure with the screw.

9. Remove the hinged side flaps from the panel mounting brackets on each side of the unit (fig 5).

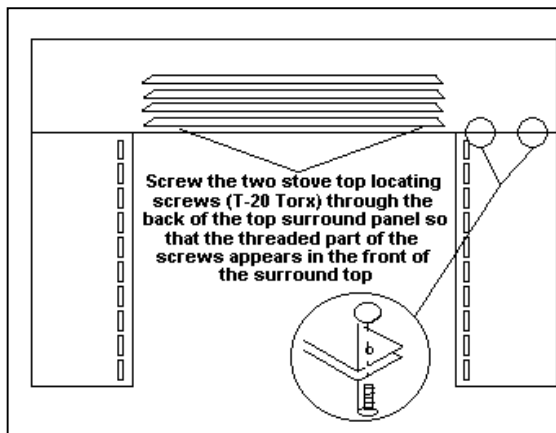
10. Remove the top grill bar. Undo the 1/4" nuts holding the stove top (7/16" wrench). Lift top up and remove.

11. For units with optional fan connect surround panel wire harness to the stove wire harness following the wiring diagram in fig 8.

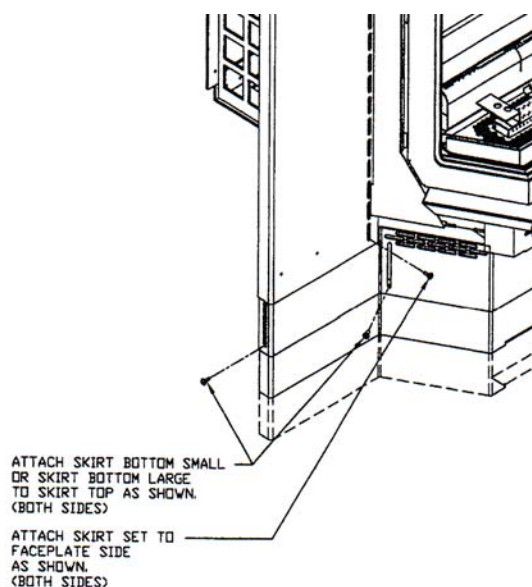
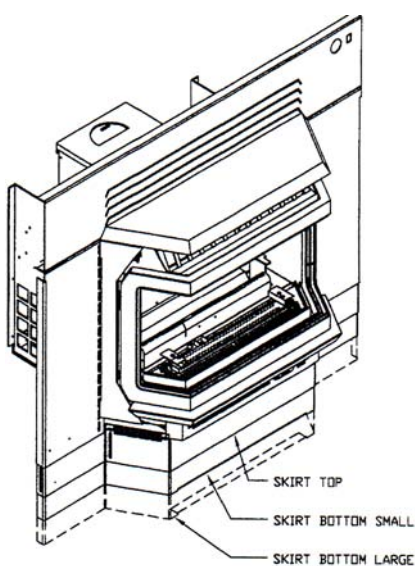
12. Place the assembled surround panel around the stove, in front of the surround mounting brackets. Make sure the top surround panel sits flat on the stove.



13. Re-attach the hinged side flaps by sandwiching the surround panels between the mounting brackets and the hinged side flaps. secure with screws.
14. Re-install the stove top by inserting the locating screws, previously put into the surround panel top, through the holes in the back of the stove top. Push threaded studs through holes in top baffle and tighten nuts. Re-attach the top grill bar.
15. Be sure to maintain adequate clearances around air openings, **do not block**.
16. Place the log and ember set into the fire box. See instructions in section 11, INSTALLING LOG AND EMBER SET.

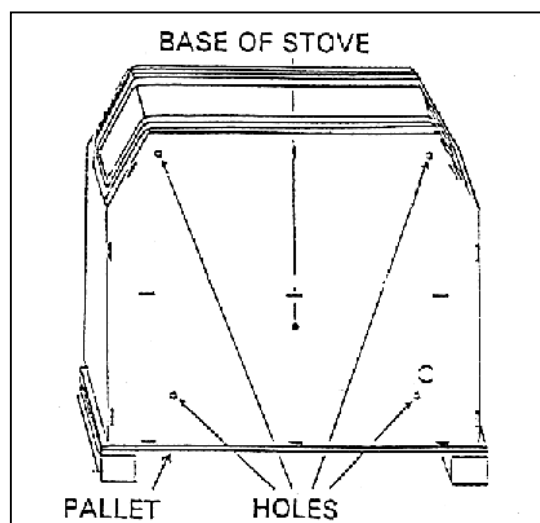


OPTIONAL ADJUSTABLE SKIRT FOR RAISED FIREBOX APPLICATIONS



ASSEMBLING YOUR ENVIROGAS 828 FREESTANDING APPLIANCE

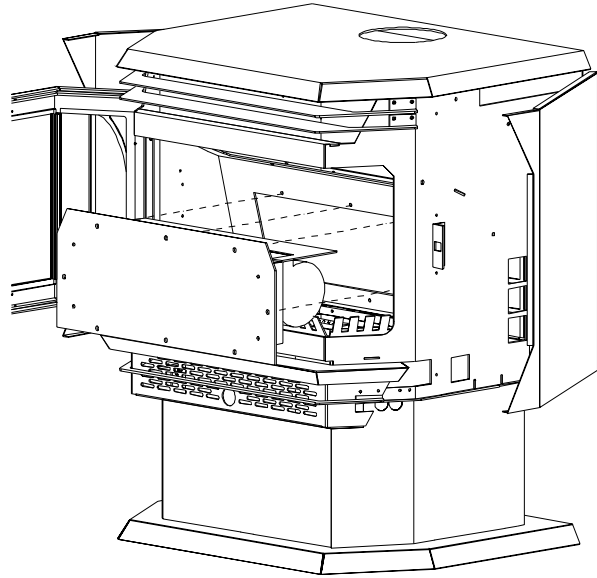
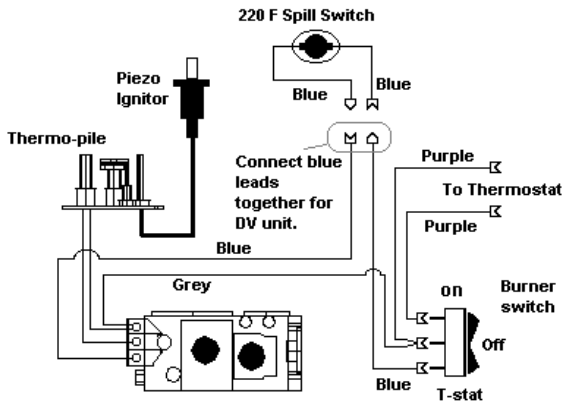
1. Open the two hinged side panels, open the door.
2. Remove log and ember set and all wrapping material from the stove. Check for damage. If damage is observed, do not use unit and contact your local dealer.
3. Remove the two wood screws that secure the stove to the pallet, these are located through the square openings inside the side panels.
4. Place the stove on its back on the pallet. Pre-thread the 4 holes in the base of the stove that secure the pedestal to the stove using the 4 screws (5/16 hex washer heads) provided. Place pedestal so that the holes in the base of the stove align with those in the pedestal and tighten screws by hand first. Then tighten with a 5/16 socket wrench.
5. Return the unit to the upright position reinstalls the log set and embers as per instructions in section 11.



6. ELECTRICAL REQUIREMENTS

The ENVIROGAS 828 Series will operate without an external electrical power supply. This model has a Millivolt gas control which uses the pilot flame to generate enough electricity to operate the main burners.

CAUTION: Label all wires prior to disconnection when servicing controls. Wiring errors can cause improper and dangerous operation. Verify proper operation after servicing.



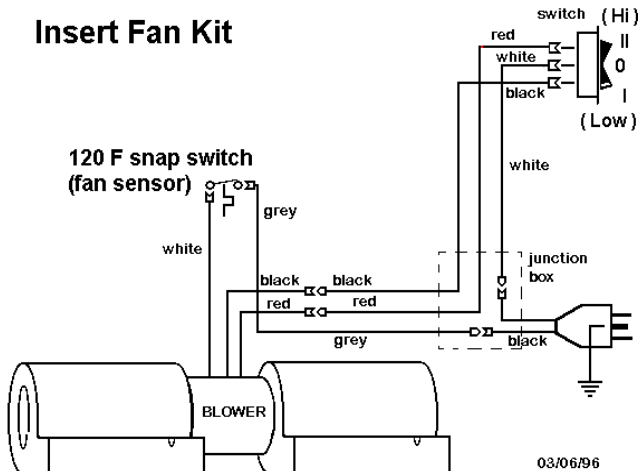
FAN INSTALLATION

OPTIONAL FAN

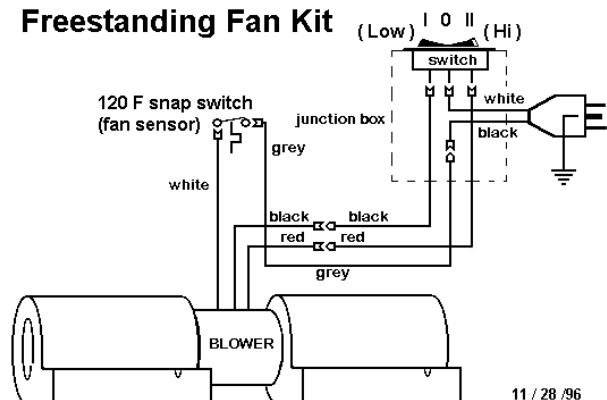
Efficiency and heat output of the unit increases with the operation of the fan.

- This appliance is equipped with a three-prong (grounding) plug for your protection against shock hazard, and should be plugged directly into a properly grounded three-prong outlet. DO NOT cut or remove the grounding prong from this plug. The appliance, when installed with optional blower, must be electrically connected and grounded in accordance with local codes or in the absence of local codes, with the current CSA C22.1 CANADIAN ELECTRICAL CODE Part 1, SAFETY STANDARDS FOR ELECTRICAL INSTALLATIONS, OR THE NATIONAL ELECTRICAL CODE ANSI / NFPA 70 in the USA.

Insert Fan Kit



Freestanding Fan Kit



7. GAS LINE CONNECTION AND TESTING

WARNING: Only persons licensed to work with gas piping can make the gas connections to this appliance.

This appliance is equipped with a 3/8" stainless steel flex line from the valve. This line may be routed through the hole in the rear of the pedestal, or on inserts, routed through the fire box sides. An adapter plate is available for installations that do not allow flex pipe through cabinetry.

NOTE: Consult your local authorities and in CAN. the CAN/CGA-B149 (1 or 2) Installation Code, For USA gas installations follow either local codes or the current edition of the National Fuel Gas Code ANSI. Z223.1.

The appliance and its shutoff valves must be disconnected from the gas supply piping system during any pressure testing where the pressure exceeds 1/2 PSIG (3.45 kPa) or damage will occur to the valve.

The appliance must be isolated from the gas supply piping system by closing its individual manual shutoff valve during any pressure testing of the gas supply piping system at test pressures equal to or less than 1/2 psig (3.5 kPa).

Always check for gas leaks with a soap and water solution or an approved manner after completing required pressure tests.

ORIFICE SIZES, PRESSURES AND BTU'S

The efficiency rating of this appliance is a product thermal efficiency rating determined under continuous operating conditions and was determined independently of any installed system. All models are equipped with a variable output gas control.

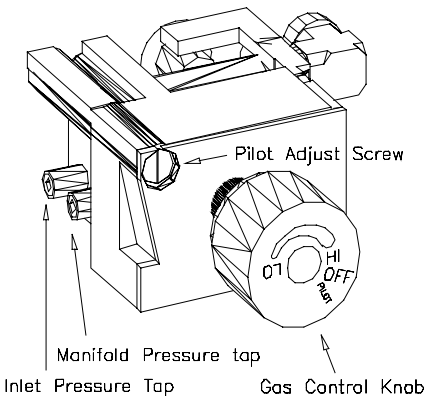
	NATURAL GAS	PROPANE
ORIFICES (Front / Rear)	#51 DMS / #49 DMS	#59 DMS / #56 DMS
Manifold Press:	3.5" wc / 0.87 kPa	10.0" wc / 2.49 kPa
Min. Manifold Press:	2.1" wc / 0.52 kPa	6.2" wc / 1.54 kPa
Max. Supply Press:	7.0" wc / 1.74 kPa	13.0" wc / 3.23 kPa
Desired Supply Press:	7.0" wc / 1.74 kPa	11.0" wc / 2.74 kPa
Min. Supply Press:	5.0" wc / 1.25 kPa	10.5" wc / 2.62 kPa
Max. BTU/H Input:	26,500 / 7.6 kW	26,500 / 7.6 kW
Min. BTU/H Input:	21,000 / 6.15 kW	21,000 / 6.15 kW
MOBILE HOME Manifold Press:	4.0" wc / 1.00 kPa	10.0" wc / 2.49 kPa

In Canada and the United States these appliances are certified for altitudes of 0-4500 ft. / 1370 m.

TO TEST VALVE PRESSURES

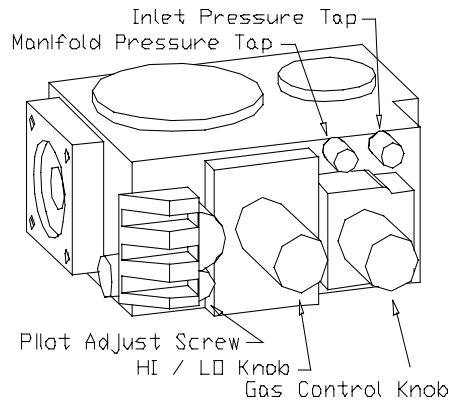
- Turn set screw counter clockwise to loosen, 2 turns.
- Place 5/16" I.D. hose over pressure tap system.
- When finished, release pressure, remove hose & tighten set screw.

EUROSIT VALVE:



The pressure taps are located through the left side of the pedestal on the left side of the valve
(Rear - inlet pressure, Front - manifold pressure).

NOVASIT VALVE: The pressure taps are located on the front of the valve through the control panel.
(Left - manifold pressure, Right - inlet pressure).



NEVER USE OPEN FLAME FOR LEAK TESTING

8. VENTING

WARNING: THIS APPLIANCE HAS BEEN DESIGNED TO OPERATE BY DRAWING COMBUSTION AIR AND DILUTION AIR FROM THE ROOM. IT IS ALSO DESIGNED TO DRAW ROOM AIR FOR PROPER HEAT CIRCULATION FROM THE SIDES OF THE UNIT. BLOCKING OR MODIFYING THE LOUVERS IN ANY WAY CAN CREATE HAZARDOUS SITUATIONS, EITHER THROUGH POOR VENTING OR BY OVERHEATING. IT IS IMPORTANT THAT THIS UNIT HAS SUFFICIENT AIR CIRCULATION FOR PROPER VENTING AND COMBUSTION. PROVISIONS MUST BE MADE FOR THE SUPPLY OF ADEQUATE COMBUSTION AND VENTILATION AIR. THESE OPENINGS MUST NOT BE BLOCKED.

THE APPLIANCE MUST NOT BE CONNECTED TO A CHIMNEY FLUE SERVICING A SEPARATE SOLID FUEL BURNING APPLIANCE.

AUTOMATIC FLUE GAS SPILL SWITCH

NOTE: THIS HEATER MUST BE PROPERLY CONNECTED TO A VENTING SYSTEM. THIS HEATER IS EQUIPPED WITH A VENT SAFETY SHUTOFF SYSTEM DESIGNED TO PROTECT AGAINST IMPROPER VENTING OF COMBUSTION PRODUCTS.

THIS SAFETY SWITCH IS LOCATED ON THE REAR OF THE APPLIANCE CLOSE TO THE DRAFT HOOD RELIEF OPENING.

IF THE SWITCH TRIPS MORE THAN ONCE THE VENTING SHOULD BE INSPECTED BY A QUALIFIED SERVICE TECHNICIAN FOR POSSIBLE BLOCKAGE OR SEVERE DOWN DRAFT CONDITIONS

This stove can be vented with aluminum or stainless steel flex vent and/or certified 4" Type B Gas Vent. The flue collar of the appliance will fit inside of a standard 4" vent and may be fastened directly to the vent. Check periodically that the vent is unrestricted and an adequate draft is present when the unit is in operation.

WARNING: Operation of this heater when not connected to a properly installed and maintained venting system or tampering with the vent safety shutoff system can result in carbon monoxide (CO) poisoning and possible death.

A. VENTING FIREPLACE INSERTS

The ENVIROGAS 828 insert may be installed and vented into any solid fuel fireplace that has been installed in accordance with the National, Provincial/State and local building codes and has been constructed of non-combustible materials.

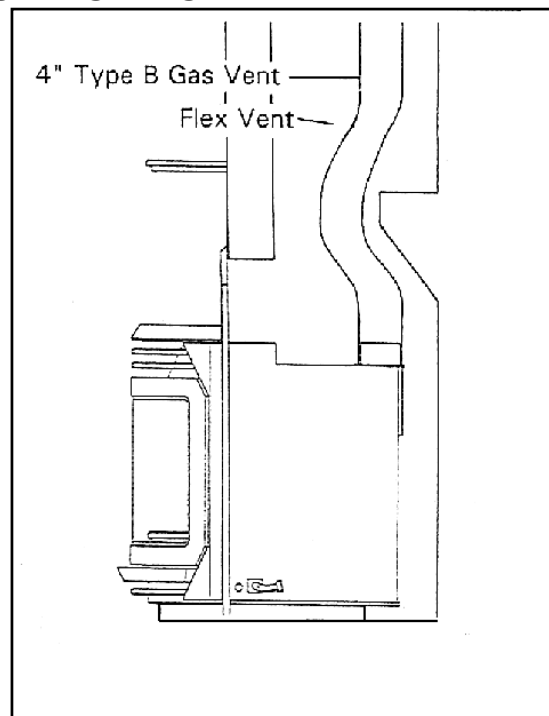
An approved 4" chimney liner, throat connector, and rain cap must be installed, to ensure a tight seal, top performance, safety and efficiency. Carefully follow the manufacturers instructions which accompany the chimney liner kit.

Measure the height of the chimney beforehand and purchase the appropriate kit. **Never attempt to over stretch a flexible liner to accommodate the height of the chimney.**

Install sealed throat connector to prevent leakage of room air through chimney.

Any flue damper must be removed or blocked permanently in the open position.

The chimney must be clean, in good working order and



constructed out of non-combustible materials.

Make sure that all chimney clean outs are tightly fitting and will not permit air to leak into the chimney.

Remove the vent collar plate from the top of the insert and connect it securely with at least 3 sheet metal screws and a 4" hose clamp. Check for any tears in the liner at this point. (See also Assembly and Installation Instructions section 5)

IMPORTANT: The screw that holds the vent collar plate in it's approved position must be installed.

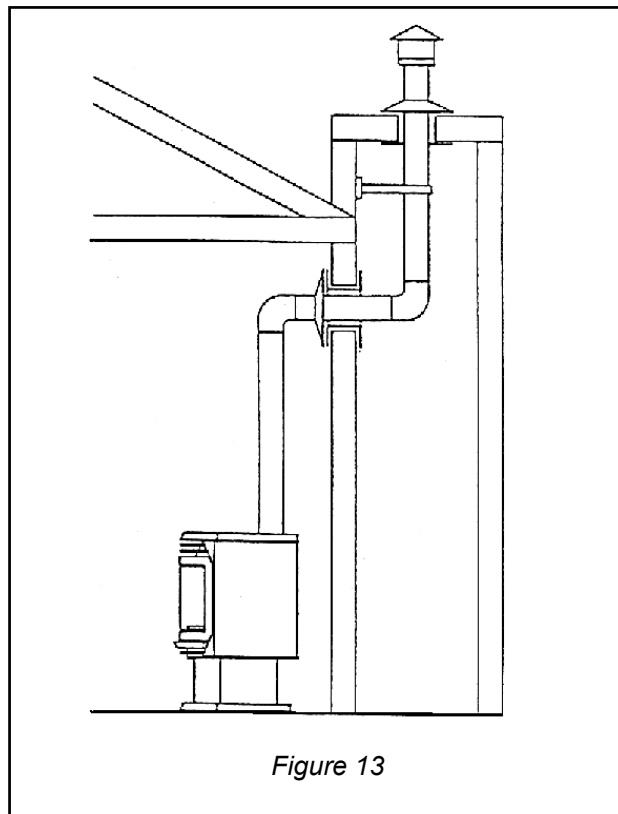
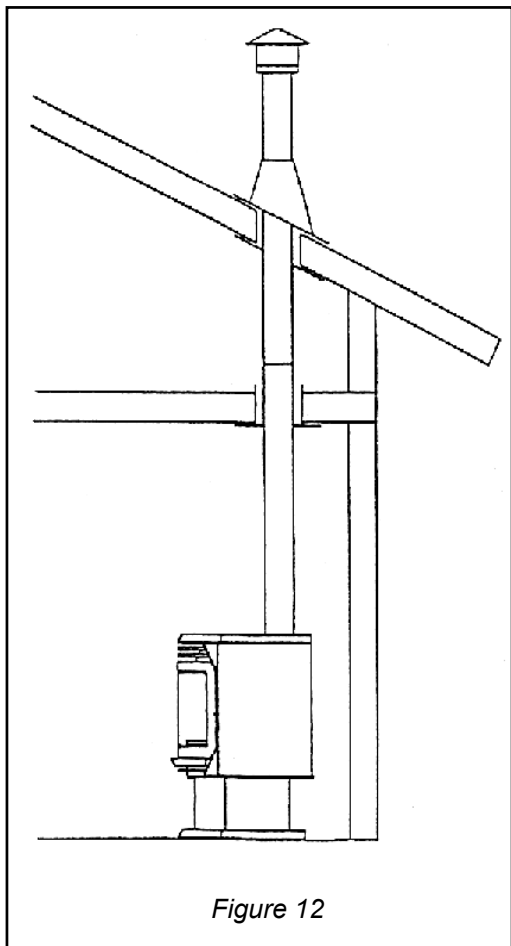
The draft hood must be in the same pressure zone as the air inlet.

To inspect draft from the front of the unit, open right side hinged flap. Locate 3/8" tube and check for draft using smoke or magnehelic gauge. A vacuum will indicate proper drafting.

B. VENTING FREESTANDING MODELS

This stove should be vented by certified 4" Type B Gas Vent that may be encased in 6" decorative stovepipe. The flue collar of the appliance will fit inside of standard vent and should be fastened directly to the vent.

The ENVIROGAS incorporates its own internal draft hood, so no additional external draft hood is required. The venting system should be assembled and installed according to the vent manufacturer's instructions and the local, state/provincial or national codes.



Two basic venting configurations are shown in fig. 12 & 13. See vent manufacturer's instructions for vent system clearances to combustibles and vent terminal clearance from roof.

This information is compiled by the manufacturer as a very general rule for single appliance venting of the 828 gas stove with 4" Type B gas vent.

Venting code and regulations may vary from area to area, please check with the local, state/provincial codes regarding the suitability of your application.

For best venting performance, we recommend total vent height of 10ft (3m) to 30ft (9m). Total horizontal length depends on the number of elbows used. The venting should never slope down. 1/4" rise per 2' horizontal is recommended.

If practical, it is best have shorter horizontals and fewer elbows.

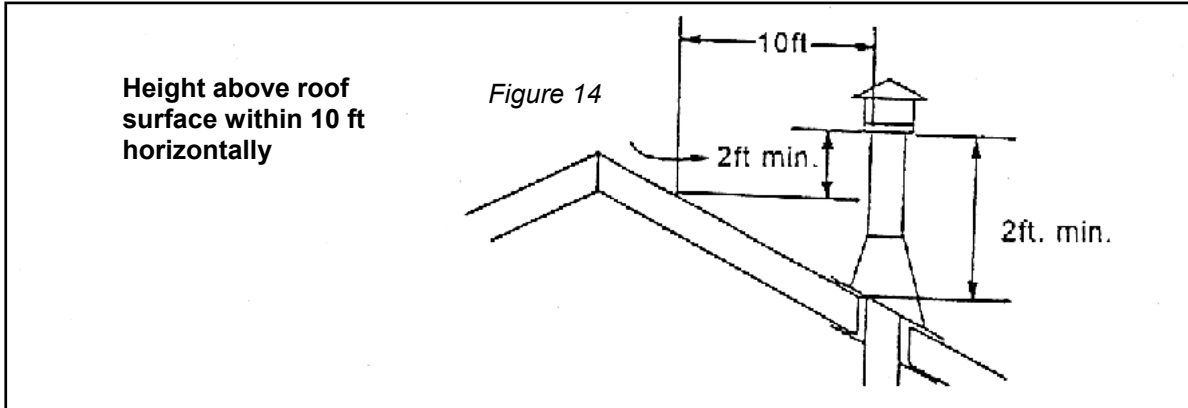
- Two 90° elbow, maximum total horizontal length of 20ft (6m).
- Three 90° elbow, maximum total horizontal length of 13ft (3.8m).
- Four 90° elbow, maximum total horizontal length of 6ft (1.9m).
- Five 90° elbow, maximum total horizontal length of 0ft (0m).

If 45° elbows are used, one 90° elbow is equivalent to two 45° elbows.

Venting rise should be a minimum of 3 ft (.62m) from the top of the unit before any horizontal.

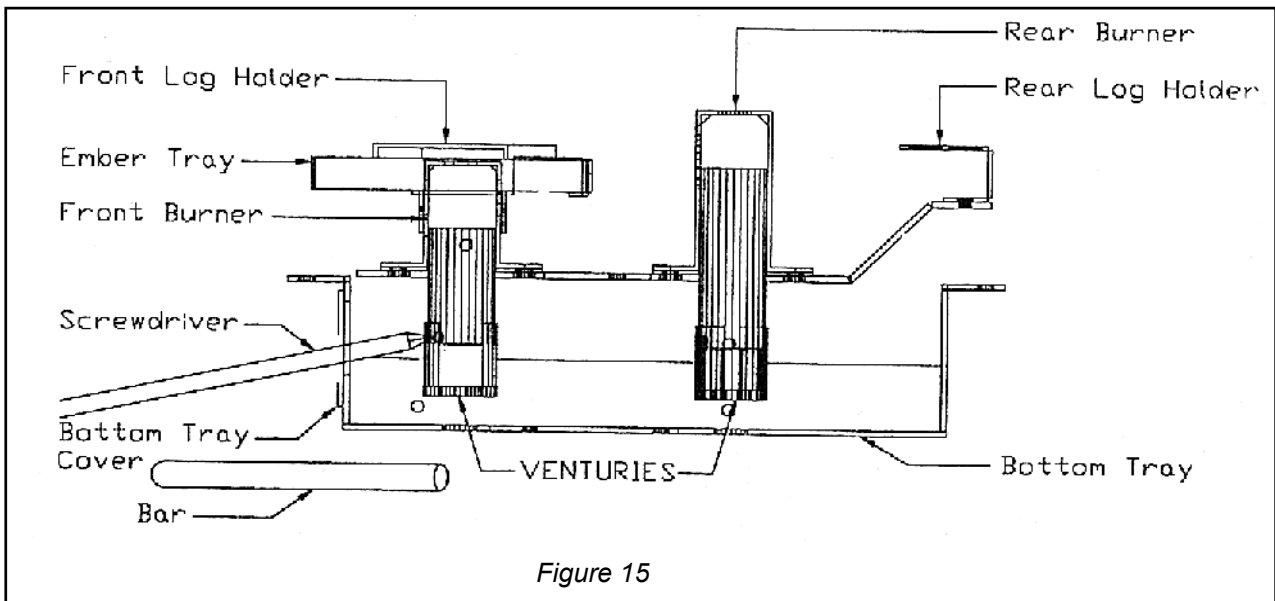
For other special venting requirements, please refer to the local, state/provincial or national codes.

The bottom of the vent cap shall extend at least 2ft. (.6m) above the highest point of the roof where it passes through and at least 2ft (.6m) higher than any portion of the roof within a horizontal distance of 10ft. (3m). See *Figure 14*.



9. AIR SHUTTER ADJUSTMENT

- There is a separate venturi air shutter for each burner
- The venturis have been set for installation at sea level
- To adjust for high altitude: Remove the front cover plate, loosen the 2 set screws with a long screwdriver and rotate the air shutters to the correct setting.



10. INSTALLATION OF LOG SET and EMBERS

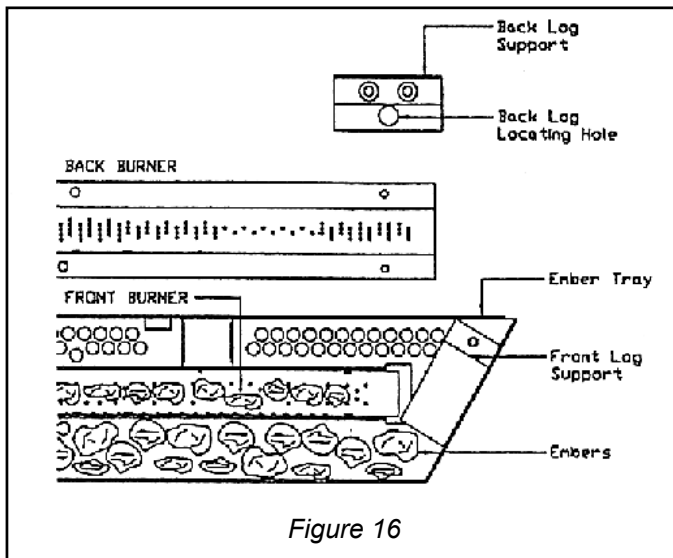


Figure 16

A. INSTALLING THE GLOWING EMBERS

A bag of ceramic fiber embers is provided for use on the front burner tray.

CAUTION: Use only the type of ember material supplied with this appliance. Due to the irregular size of the ember material there may be more than required. The use of other foreign materials on the burners may create dangerous conditions.

If over time, through cleaning and servicing these embers require replacement, contact your nearest ENVIROGAS dealer for replacement embers.

1. Gently remove the ember material from the plastic bag. Spreading these pieces evenly across the front of the ember tray, Use only a single layer. Do not pile embers. Place a single row of embers on top of the front burner. (Figure. 16)
2. Carefully avoid any clumping or large build ups. Do not pack down, leave embers loose.
3. **DO NOT PLACE EMBERS ON THE REAR BURNER.**
4. Upon the first light up, watch for ignition to **all** burner ports. If a long delay is noted:
 - a) First, wait for the appliance to cool down
 - b) Open the front door of the appliance.
 - c) Carefully reposition the embers making sure that burner ports are not plugged solid or blocked

CAUTION: NEVER OPERATE THIS APPLIANCE WITH THE DOOR REMOVED

INSTALLING THE LOG

Carefully remove log from unit. Check to ensure there is no damage. It is very important to install this log in its proper position to insure safe optimum operating conditions.

1. Open the front door.
2. Place log with Burnt Area forward on log supports. By matching bottom pegs to the receiving holes in log supports.
3. Close door securely.

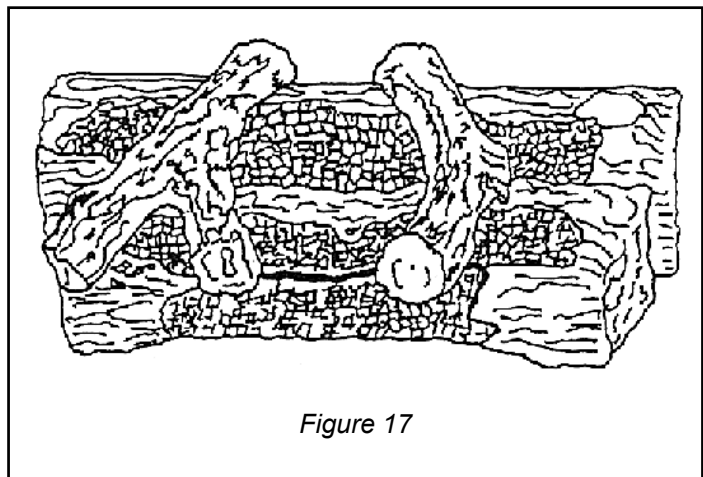


Figure 17

11. OPERATING INSTRUCTIONS

FOR YOUR SAFETY READ BEFORE OPERATING

WARNING: IF YOU DO NOT FOLLOW THESE INSTRUCTIONS EXACTLY, A FIRE OR EXPLOSION MAY RESULT CAUSING PROPERTY DAMAGE, PERSONAL INJURY OR LOSS OF LIFE.

- A) This appliance is equipped with a pilot which must be lit by hand by following these instructions exactly.
- B) BEFORE LIGHTING smell all around the appliance area for gas, and next to the floor because some gas is heavier than air and will settle on the floor.

WHAT TO DO IF YOU SMELL GAS:

- Do not try to light any appliance.
- Do not touch any electrical switch; do not use any phone in your building.
- Immediately call your gas supplier from a neighbor's phone. follow the gas suppliers instructions.

LIGHTING INSTRUCTIONS

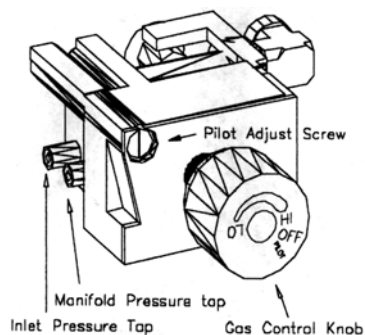
1. STOP! Read the safety information above.
2. Turn off all electrical power to the appliance.
3. Turn the gas control knob clockwise to the "off" position.
4. Open door. **Wait five (5) minutes to clear out any gas.** Close door. If you smell gas including near the floor, **STOP!** Follow "B" in the above safety information. If you don't smell gas go to next step.
5. Find the pilot located to the right between the front and rear burner.
6. Turn gas control knob counter-clockwise to "PILOT".
7. Push the gas control knob in fully and hold. Immediately light the pilot by pushing the piezo spark ignitor. Keep knob Depressed for about 30 seconds after pilot is lit. Release knob. If pilot goes out, repeat steps 4 through 6.

WARNING The gas valve has an lockout device which will not allow the pilot burner to be re-lit until the thermocouple has cooled.

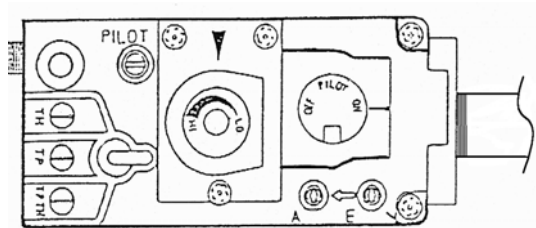
- If the knob does not pop up when released, stop and Immediately call your service technician or gas supplier.
- If the pilot will not stay lit after several tries, turn the gas control knob to "OFF" and call your service technician or gas supplier.

- If you cannot reach your gas supplier, call the fire department.
- C) Use only your hand to push in or turn the gas control knob. Never use tools. If the knob will not push in or turn by hand, do not try to repair it . Call a qualified service technician. Force or attempted repair may result in a fire or explosion.
- D) Do not use this appliance if any part has been under water. Immediately call a qualified service technician to inspect the appliance and to replace any part of the control system and any gas control which has been under water

8. EUROSIT VALVE:
Turn gas control knob counter-clockwise to the "LO" position. Then turn knob to the desired setting.



9. NOVASIT VALVE:
Turn gas control knob counter-clockwise to the "ON" position. Flip burner switch to "ON" then



turn "HI / LO" knob to the desired setting.

10. Turn on all electrical power to the unit

NOTE: Check to be sure the pilot flame engulfs the thermocouple and that the burners light completely.

TO TURN OFF GAS TO APPLIANCE

1. Turn the gas control knob clockwise to "OFF" DO NOT FORCE
2. Turn off all electrical power to the appliance if service is to be performed.
3. NOVASIT VALVE: Flip burner switch to off.

12. ROUTINE MAINTENANCE

Periodically check to ensure that the "B-Vent" venting system is clear and that a negative draft is present when the unit is operating. On fireplace insert models there is a draft inspection tube the opening is located on the right hand side behind the hinged side. A vacuum should be present at the opening.

Periodically check the pilot and burner flames (See Fig.11)

CLEANING OF GLASS

Do not clean glass when hot

It will be necessary to clean the ceramic glass periodically. During a cold start up condensation will sometimes form on the glass, this is a normal condition with all gas fireplaces and stoves. However, sometimes this condensation can allow dust and lint to cling to the glass surface. Also, sometimes initial paint curing of the appliance can leave behind a slight film on the glass. This is a temporary problem. It is therefore recommended that the glass be cleaned initially after about the first two weeks of use.

After that, depending upon the amount of use, cleaning should be required no more than two or three times per season.

To clean the door, use a mild glass cleaner and a soft cloth. Abrasive cleaners will damage the glass surface.

OPENING THE GLASS DOOR

Turn unit off and wait until the appliance has cooled down.

1. Open the right hand hinged side flap which will expose a door fastener. Using a 1/2" wrench, loosen the fastener.
2. Due to the shape of the bay window door. You must also open the left hand side flap before attempting to open the door.
3. Ensure the door is properly fastened after cleaning before attempting to re-light the appliance.

TO REPLACE DOOR AND GLASS ASSEMBLY

The glass in this appliance is an integral part of the door assembly. If the glass is damaged or broken a

replacement door assembly including glass must be fitted.

To Replace

- open door fully
- Lift door vertically so that hinge pins lift out of hinge receivers.
- Return assembly to dealer.

The Door and glass assembly must be replaced as a complete unit by your ENVIROGAS Dealer. No substitute materials are allowed.

FOR CLEANING THE INSIDE OF THE FIREBOX

Remove the log carefully from the firebox. Gently remove the embers and place on a piece of paper towel.

Vacuum the firebox thoroughly. Carefully clean off any dust on the logs and remove any lint from the main burners and pilot burner.

After carefully replacing the log and embers in their correct positions, and the door has been resealed, re-light the pilot, following the instructions on the attached label.

CLEARANCES MUST BE SUFFICIENT TO ALLOW ACCESS FOR MAINTENANCE AND SERVICE

LUBRICATING THE BLOWER

Every 6 months the blower should be lubricated if installed

1. Turn the unit off and remove the log set.
2. Remove the burner tray assembly by removing the screw on either side of the tray, between the front and rear burners. Lift tray out.
3. Remove the 8 screws that hold the blower mounting plate to the back firewall.
4. Carefully pull the blower assembly into the firebox, exposing the blower lubricating holes (located on the top of the motor housing on either side of the label). Add 2 drops of SAE 20 oil.
5. If removal of the blower is necessary, disconnect the blower leads from the harness. Remove the blower.
6. To re-install, check mounting plate gasket and reverse steps 1 through 4.

13. TROUBLE SHOOTING

Problem	Possible Cause	Solution
Spark will not arc to the pilot after repeated pressing of spark ignitor	Defective piezo ignitor	Check connections to ignitor -If ignitor connections are good but there is no spark-replace ignitor
	Broken spark electrode	-Check for broken ceramic insulation replace, electrode if broken
	Miss-aligned spark electrode	-If spark is not arcing from the electrode to pilot-adjust by loosening screws on pilot base. Adjust away from burner and re-tighten
Pilot will not remain lit	Problem with thermocouple circuit	-Check for proper connection of thermocouple to rear of valve. If loose, tighten lightly -Check pilot for full flame impingement around thermocouple. If the pilot is too small - Check gas pressure, adjust pilot rate screw, check pilot head for blockage. -Check thermocouple voltage at rear of valve-must be greater than 5 mV. If low, replace thermocouple.
	Air in gas line - (Pilot flame dies while knob is depressed.)	-Bleed line. -Check gas line pressure. -Contact dealer.
Burners will not remain lit	Problem with thermopile circuit	-Check gas-line pressure. -Check for flame impingement on thermopile, if low see "Pilot will not stay lit" -check thermopile for a Minimum of 300 mV when burner switched on. -Check wiring to thermostat for breaks. -Check for spillage at draft hood that may trip spill switch.
Flame lifting	- Leak in vent pipe - Improper vent configuration - Terminal may be recirculating flue gases	-check for leaks in vent connections -check vent configuration with manual -check to see if terminal is on correctly -May need to install high wind termination cap -contact dealer.
insufficient air for combustion	- Air tight house - A Vacuum in room due to other air moving device EG. Kitchen fan	- supply make up air to the unit.
Glass fogs up	Normal conditions - after the appliance warms up glass will clear ** Due to additives in gas, glass may get hazy during normal use** Clean when needed.	
Blue flames	Normal during start - flame will yellow as the appliance heats up.	
Flames are burning "dirty" or Sooting	Flame impingement	-check log position -increase primary air by opening venturi shutters see also "Burners will not stay lit"

14. PARTS AND ACCESSORIES

Service Parts available from your local ENVIROGAS Dealer.

PART #	DESCRIPTION
828-001	Convection Blower
828-002	Heyco Strain Relief
828-003	2-Speed Fan Switch
828-004	Eurosit Manually Regulated Valve, Natural Gas
828-005	Eurosit Manually Regulated Valve, Liquid Propane
828-006	Pilot with Ignitor Electrode, Natural Gas
828-007	Pilot with Ignitor Electrode, Liquid Propane
828-008	Thermocouple
828-009	Thermocouple Interrupter
828-014	120 Ceramic Fan Temp Sensor
828-017	Burner Switch (nova tray)
828-018	Aluminum Manifold
828-019	Orifice Blank
828-024	Front Venturi
828-025	Rear Venturi
828-026	Side Panel Magnet
828-030	Logs and Embers
828-040	Thermopile
828-041	S.I.T Nova 820 NG Valve
828-042	S.I.T Nova 820 LP Valve
828-043	Nova Pilot W/Ignitor Electrode NG
828-044	Nova Pilot W/Ignitor Electrode LP
828-030	Log Set & Embers
828-045	3/8 Plastic Bushing
828-046	7/8 Plastic Bushing
828-054	Hi-Temperature Electrical Cord
828-072	3/8 Tadpole Door Gasket
828-076	Envirogas Name Plate
828-077	120° Ceramic Auto Reset n/o Temp Sensor (big foot)
828-078	220° Temp Sensor n/c
828-079	SS Flex Connector with 3/8" Elbow 18" long
828-081	Fan Switch Plug
828-083	Freestanding Side Cabinet Hinge
828-084	Eurosit Thermostatically Regulated Valve, Natural Gas
828-085	Eurosit Thermostatically Regulated Valve, Liquid Propane
828-086	Pilot Gasket
828-101	Plain Door with Gasket & Glass
828-103	Gold Door with Gasket & Glass
828-104	Burner Tray NG with Manually Regulated Valve
828-105	Burner Tray LP with Manually Regulated Valve
828-106	Burner Tray NG with Thermostatically Regulated Valve
828-107	Burner Tray LP with Thermostatically Regulated Valve
828-108	Freestanding Pedestal
828-109	Regular Size Panel for Fireplace Insert
828-110	Oversized Panel for Fireplace Insert

15. WARRANTY

Sherwood Industries Ltd. offers a *Lifetime Warranty on this gas product. The lifetime warranty covers the appliance for a period of seven years from the date of installation. This warranty applies only to the original owner in the original location

Covered under the lifetime warranty are Cabinet Sides, Tops, Pedestals, Surround Panels and Chassis and Heat Exchanger. These steel components are covered against manufacturer's defects for 5 years and labor for the first year and for parts only thereafter.(A) The following exclusions apply:- over-firing due to incorrect setup or tampering, damage caused by incorrect installation, usage or abuse. The unit must be properly installed by a qualified technician or installer, and must meet all local and national gas and building code requirements.

We also cover against manufacture defects under our lifetime warranty. The following components, Gold Plating, Log Set, Burners and Glass (A) The following exclusions apply: Gold plating- Damage caused by scratching, marring, chemicals, fingerprints, abrasive cleaners or discoloration with age. Glass- use of harsh or abrasive cleaners, striking the glass or surface contaminates. Logset- Damage caused by incorrect handling or misuse. Burners- damage caused by improper or continuous operation under incorrect conditions.

Sherwood Industries Ltd. offers a 2-year warranty on all the Electrical Components and Gas Components against manufacturing defects. Paint is covered against flaking. This offer includes parts and labor for 1 year and for parts only thereafter.

Your dealer shall make all claims under this warranty in writing.

(A): TO A MAXIMUM OF SEVEN YEARS

WHEN FILING A WARRANTY CLAIM PLEASE COMPLETE THE FOLLOWING INFORMATION ON AN OFFICIAL WARRANTY CLAIM FORM:

To the Dealer

- Name, address and telephone number of purchaser and date of purchase.
- Date of installation. Name of installer and dealer. Serial number of the appliance. Nature of complaint, defects or malfunction, description and part # of any parts replaced.

To the Distributor

- Sign and verify that work and information are correct.

This warranty covers defects in materials and workmanship only if the product has been installed according to the manual's instructions. If the product is damaged or broken as a result of misuse or mishandling the warranty does not apply. The warranty does not cover removal and re-installation costs.

Sherwood Industries Ltd. reserves the right to repair or to replace the defective product. The shipping costs are to be paid by the consumer. All warranties by the manufacture are set forth herein and no claim shall be made against the manufacturer on any oral warranty or representation.

Sherwood Industries Ltd. and its employees or representatives will not assume any damages, either directly or indirectly caused by improper usage, operation, installation, servicing or maintenance of this appliance.

Sherwood Industries Ltd. reserves the right to make changes without notice. Please complete and mail the warranty registration card and have the installer fill in the installation data sheet in the back of the manual for warranty and future reference.

16. INSTALLATION DATA SHEET

The following information must be recorded by the installer for warranty purposes and future reference.

Envirogas Model: EG-828 INSERT BV. FPI

Name of Owner:

Address:

Phone: _____

Name of Dealer:

Address:

Phone: _____

- Model : _____
- Serial Number: _____
- Date of Purchase: _____ / _____ / _____
- Date of Installation: _____ / _____ / _____
- ___ Natural Gas (Nat.), ___ Propane (LPG)
- Inlet Gas Supply Pressure: _____ in.w.c.

If the orifices were changed by the installer.

- Front Burner Orifice # _____ ,
Back Burner Orifice # _____ .
- Pilot Orifice # _____ or _____ in.Dia.

Installer's Signature

Name of Installer:

Address:

Phone : _____

E-MAIL ADDRESS (envirofire@home.com)
WEB SITE ADDRESS ([www. Enviro-fire.com](http://www.Enviro-fire.com))

MANUFACTURED BY:
SHERWOOD INDUSTRIES, 6782 OLDFIELD RD., SAANICHTON, B.C., CANADA V8M 2A3

